

METALBOX

demagro

ELECTRO

Solera



Flush mounting distribution board in thermoplastic material from 14 to 56 modules with metal door. In matt white.

Flush mounting distribution board, from 1 to 4 rows and 14 to 56 modules. Made of thermoplastic material with metallic door. Matt white color RAL 9003.

- Complies with directive 2006/95/CE.
- Complies with directive 2011/65/UE (RoHS).
- In accordance with EN 61 439-1, EN 61 439-3 & EN 62 208.
- Rated voltage 230 / 400 V. Maximum total load 63 A.

- IP30 (door closed). IK07.
- Class II.
- GWT 650 °C / For hollow walls 850 °C.
- RAL 9003 matt.

4 Rows
56 modules
(48 + 8)



1 Row
14 modules
(12 + 2)

2 Rows
28 modules
(24 + 4)

3 Rows
42 modules
(36 + 6)

Réf. MPB-1E-14

Réf. MPB-2E-24

Réf. MPB-3E-42

Réf. MPB-4E-56

- Accessories included -

- Accessories not included -

Brackets for wall fixing.

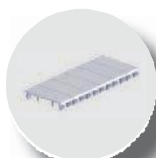
Blind cover.

Protection against plaster.

Key lock kit with 2 metal keys.



Réf. SOR-MP28/4



Réf. TA 1300 B03



Réf. CART-MPXX



Réf. CER-MP28

Clamping support for hollow walls.

PE & N terminals
(see table last page).

Instructions for use.

Link up kit.



Réf. G-MP28/4



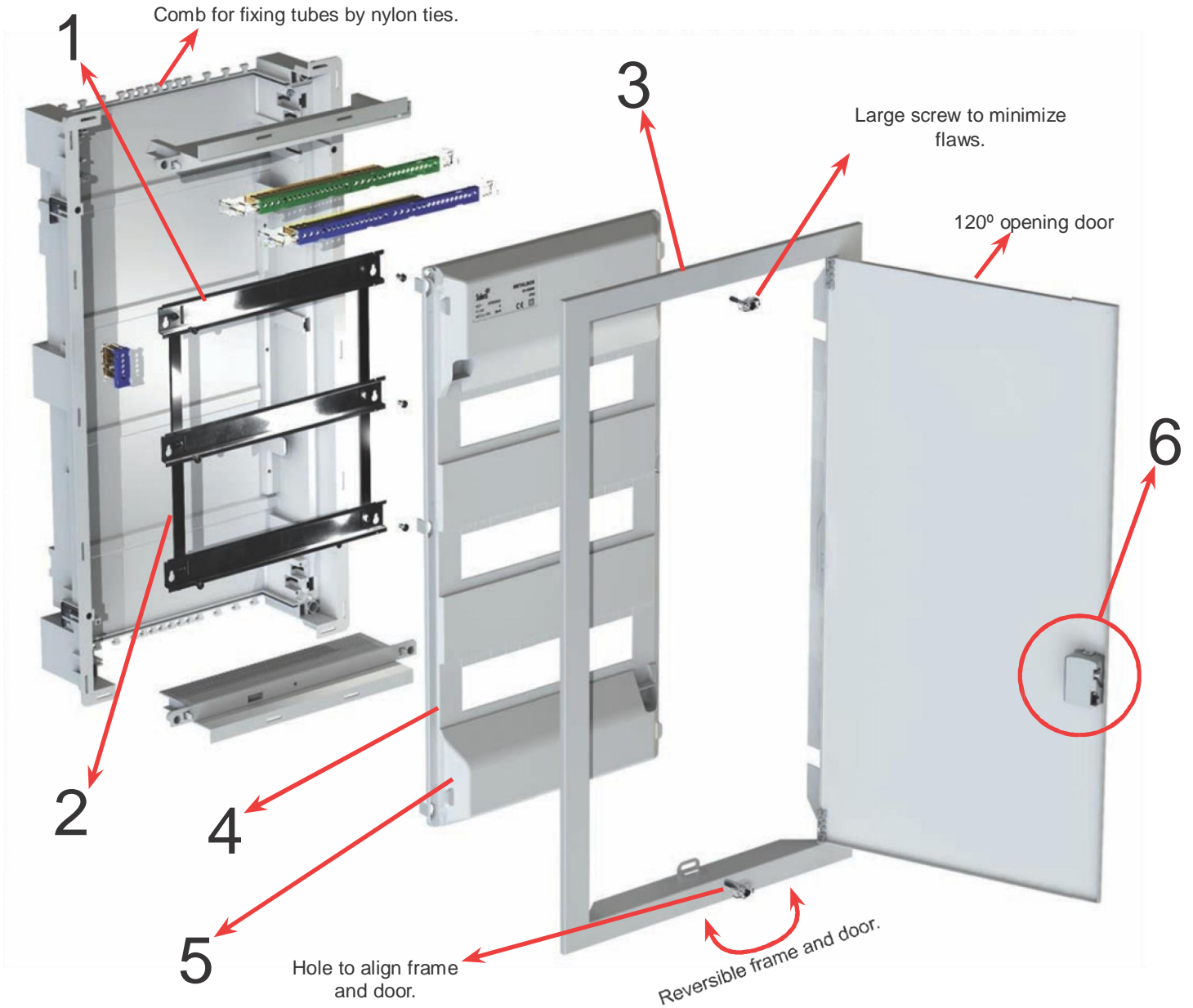
Réf. 113 PE/N, Ref. 105 N



Réf. IMLC-METALBOX



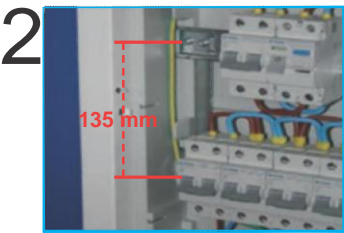
Réf. U-MP28/2



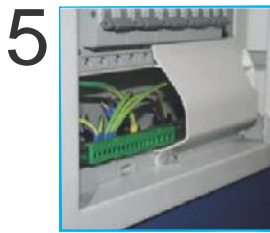
1 Extractable frame.
Facilitate your installation. Save time and prevent theft.



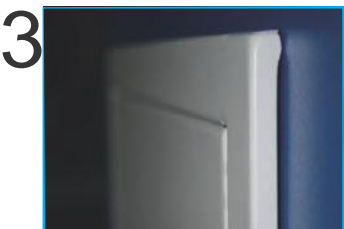
4 Removable front cover.
Get a quick access to your protection devices; easily remove the front cover without removing frame and door.



2 135 mm between DIN rails.
Large space between DIN rails allows faster, safer and more comfortable installations.



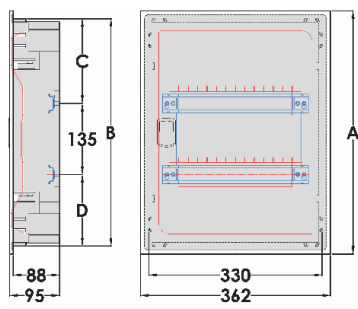
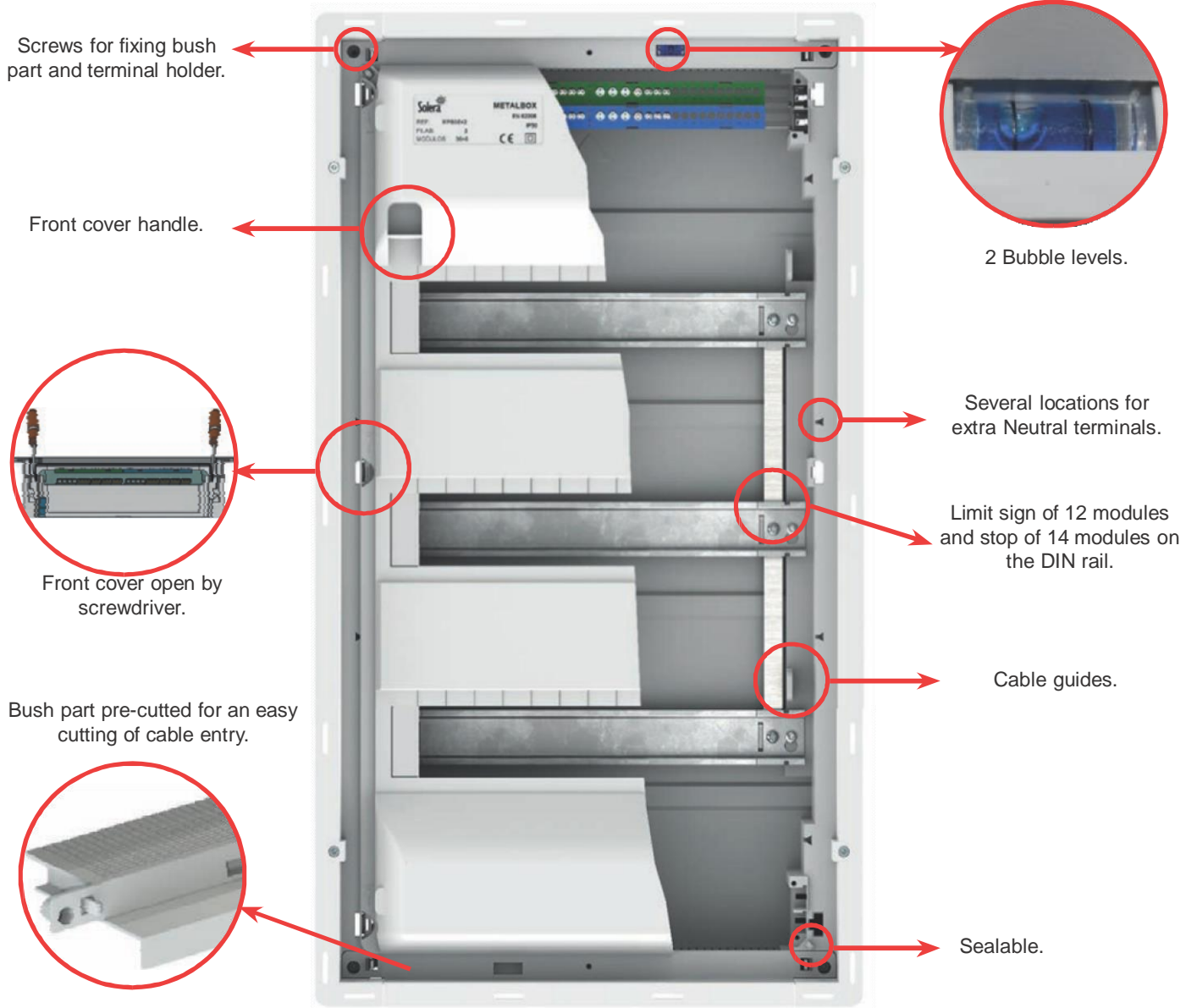
5 Large space for connection terminals.
The design of the front cover gives more space for the connection of cable and terminals.



3 Extra flat frame: 7 mm.
The 7 mm frame height provides an elegant and discrete design that match at any location.



6 Lock system.
Retractable locking system; allows an easy installation of metal keys.



Ref.	Rows	Modules	Dimensions			
			A	B	C	D
MP - 14	1	14	327	297	161	136
MP - 28	2	28	462	432	161	136
MP - 42	3	42	643	613	184	159
MP - 56	4	56	778	748	184	159

Ref.	Ref. Hollow Walls	Rows	Modules	Power losses (W)	Terminals	Weight (Kgs)	Pack / Carton
MP - 14	MP - 14 H	1	14	30 W	PE 4x16 mm ² + 13x6 mm ² +	2,0	1 / 6
MP - 28	MP - 28 H	2	28	33 W	PE 6x16 mm ² + 18x6 mm ² +	2,9	1 / 6
MP - 42	MP - 42 H	3	42	35 W	PE 6x16 mm ² + 18x6 mm ² +	4,0	1 / 3
MP - 56	MP - 56 H	4	56	40 W	PE 6x16 mm ² + 28x6 mm ² +	4,8	1 / 3